

A solution for those who demand high accuracy, repeatability and safety in their liquid filling processes.

Our system allows for precise filling of containers, jerry cans, and drums with less than **0.1% accuracy**. Equipped with an **adjustable filling nozzle** and an automatic non-drip valve, the system ensures **efficient and clean** filling every time.

Tapflo Filling Machine comes with an advanced **weighing controller** that provides both single and serial filling functions, allows you to create and use pre-set **filling programs** and generate **work reports**.

With safety in mind, the machine includes an interlock switch that prevents it from starting if there is no container on the weight scale, as well as protection from overpressure when necessary.



Filling Machine, top arrangement



Filling Machine, bottom arrangement

Features

- ✓ **High precision:** <0.1% accuracy
- ✓ **Versatile:** various container sizes
- ✓ **Process repeatability:** consistent results
- ✓ **User-friendly:** easy operation
- ✓ **Safety:** interlock switch, overpressure protection
- ✓ **Reporting:** work reports, USB-compatible

Control functions:

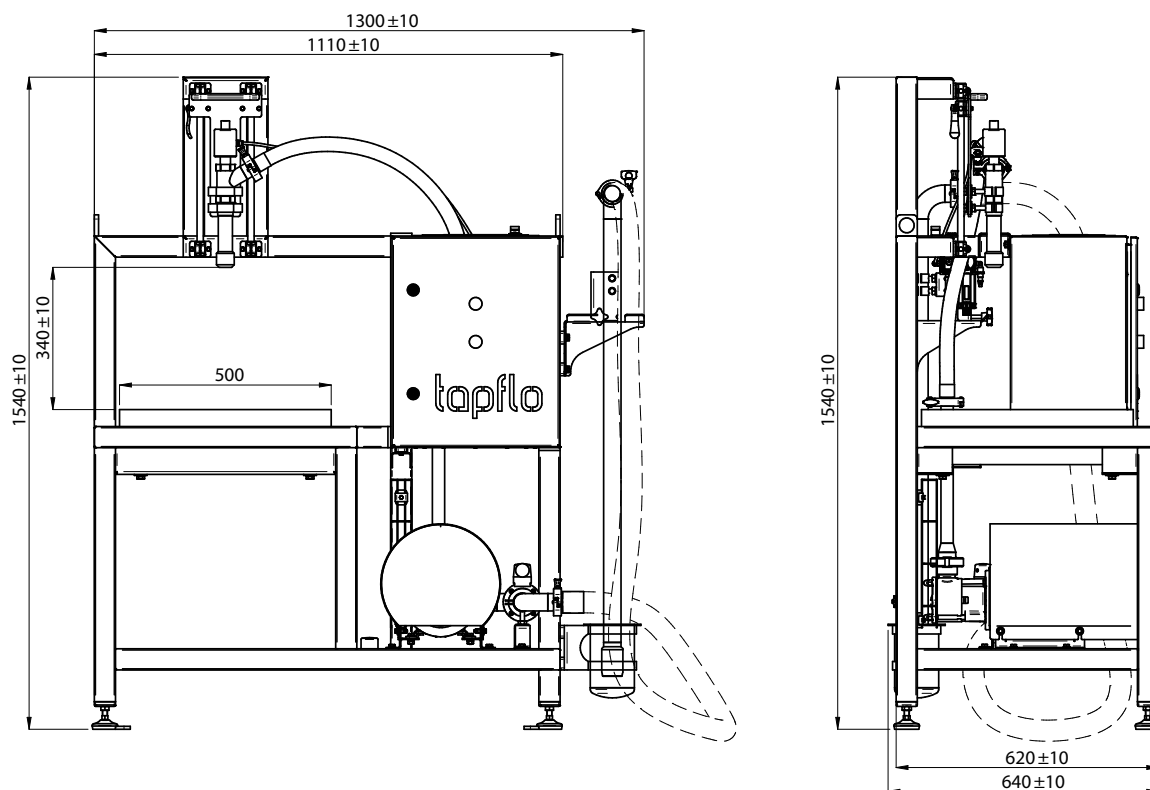
- » create filling programs
- » set filling speed
- » stop when the container is not positioned
- » start filling by the program
- » create and download the filling report
- » lower and raise the filling nozzle (option)



Technical data

Precision of the system	Less than 0.1% of the maximum weighting range.
Filled liquid viscosity	Up to 100.000 cPs, when using a hose pump. For other pump type, the viscosity range might be different.
Size of the filled containers	From 1 to 1000 liters, depending on the specific configuration of the system.

Dimensions



*Dimensions of the top arranged system.

TAPFLO AB
Sweden

Filaregatan 4 | S-442 34 Kungälv
Tel: + 46 303 63390
Fax: + 46 303 19916

Enquiries:
Orders:
Tech support:

sales@tapflo.com
order@tapflo.com
support@tapflo.com

This brochure is for informational purposes only and does not constitute an offer